



# Extended C-Band Receive Filter

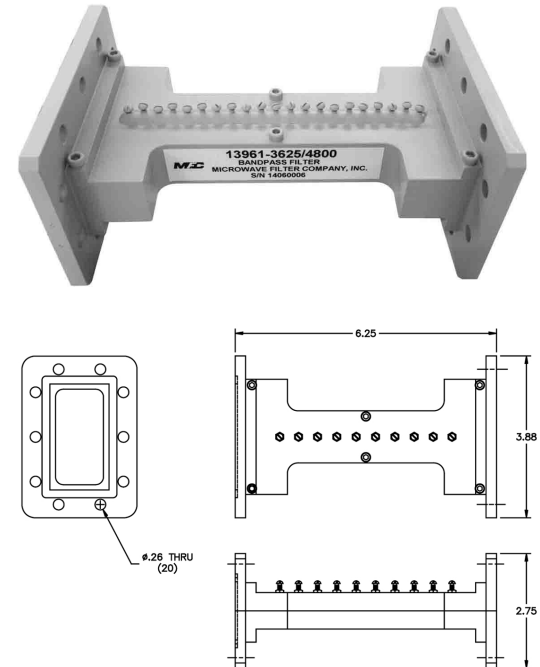
## Model 13962-3.625/4.8

This filter protects the extended C-band of 3.625-4.8 GHz from potential interference originating below or above the band.

- *Very low Insertion Loss = Minimal Signal Degradation.*
- *Easily bolt-on installation and no power supply required.*

### Specifications:

Passband:	3.625 - 4.8 GHz
Passband Loss:	0.2 dB Approx. @ Center Band 0.3 dB Approx. Roll-Off @ Band Edges
Passband VSWR:	1.5:1 Typ
Group Delay Variation:	5 nS Max
Rejection:	45 dB Min @ 3.44 GHz / 4.99 GHz 55 dB Typ @ 3.39 GHz / 5.03 GHz 70 dB Typ @ 3.30 GHz / 5.10 GHz 90 dB Min from 5.8 - 15.0 GHz
Flanges:	CPR229G (Input), CPR229F (Output)
Weight:	1.125 lbs. Approx (0.51 Kg)
Dimensions:	6.25" x 3.88" x 2.75" (159 mm x 98 mm x 70 mm)
Finish:	Gloss White Lacquer



**MICROWAVE FILTER CO., INC.**  
6743 KINNE STREET, E. SYRACUSE, NY 13057  
E-Mail: [mfcsales@microwavefilter.com](mailto:mfcsales@microwavefilter.com)

800-448-1666 • 315-438-4700  
Web: [www.microwavefilter.com](http://www.microwavefilter.com)