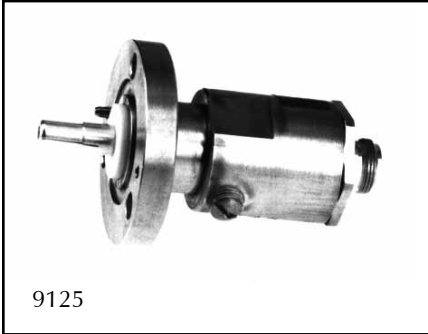


# Transmission Line Accessories

## Adapters Between Line Sizes Specifications:



	<b>9125</b>	<b>9126</b>	<b>9127</b>
Connectors .....	N to 7/8" EIA	N to 1 5/8" EIA	N to 3 1/8" EIA
Loss .....	0.1 dB Max	0.1 dB Max	0.1 dB Max
Return Loss .....			
DC-500 MHz	23 dB Min	23 dB Min	23 dB Min
500-1,000	18 dB Min	18 dB Min	18 dB Min
Power Rating* .....	2,500 W Max	2,500 W Max	2,500 W Max
Impedance .....	50 ohms	50 ohms	50 ohms
Weight .....	1.3 lbs (0.6 kg)	2.8 lbs (1.3 kg)	5.7 lbs (2.6 kg)
	<b>9128</b>	<b>9129</b>	<b>9130</b>
Connectors .....	7/8" to 1 5/8"	1 5/8" to 3 1/8"	3 1/8" to 6 1/8"
Loss .....	0.1 dB Max	0.1 dB Max	0.1 dB Max
Return Loss .....			
DC-500 MHz	23 dB Min	23 dB Min	23 dB Min
500-1,000	18 dB Min	18 dB Min	18 dB Min
Power Rating* .....	5,000 W Max	15,000 W Max	50,000 W Max
Impedance .....	50 ohms	50 ohms	50 ohms
Weight .....	1.7 lbs (0.77 kg)	4.0 lbs (1.8 kg)	11.0 lbs (5.0 kg)

\*Rating at 100 MHz

**MICROWAVE FILTER CO., INC.**  
 6743 KINNE STREET, E. SYRACUSE, NY 13057  
 E-Mail: [mfcsales@microwavefilter.com](mailto:mfcsales@microwavefilter.com)

**800-448-1666 • 315-438-4700**  
 Web: [www.microwavefilter.com](http://www.microwavefilter.com)