

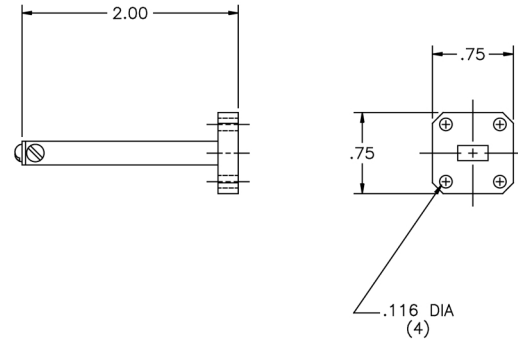


Waveguide Termination

WT28

Specifications:

Frequency Range: 26.5-40 GHz
VSWR: 1.05:1 Typ
Power: 0.5 Watt Avg
Flange: WR28 Cover



MICROWAVE FILTER CO., INC.
6743 KINNE STREET, E. SYRACUSE, NY 13057
E-Mail: mfcsales@microwavefilter.com

800-448-1666 • 315-438-4700
Web: www.microwavefilter.com