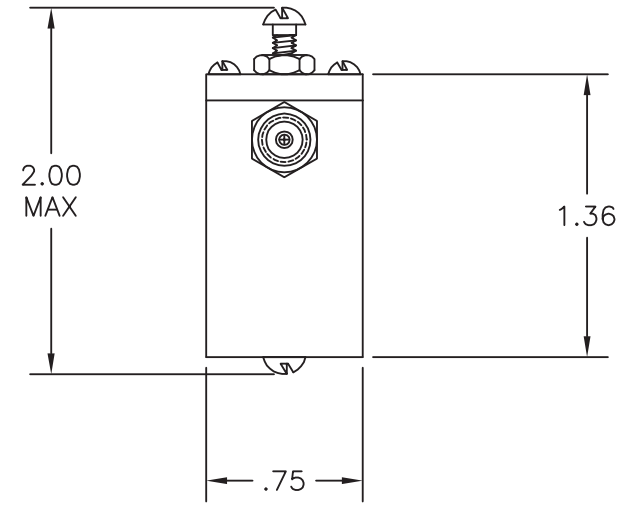
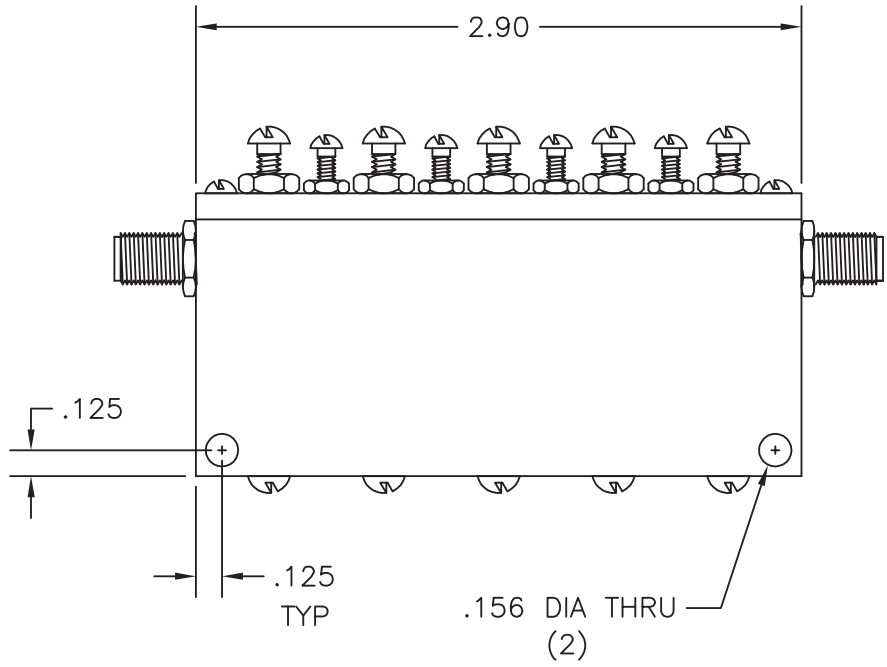


THIS DRAWING IS A SOURCE CONTROL DRAWING AND IS PROPRIETARY TO MICROWAVE FILTER CO., INC. AND MAY NOT BE DUPLICATED OR DISTRIBUTED WITHOUT WRITTEN PERMISSION OF MICROWAVE FILTER CO., INC. THIS DRAWING ALSO DESCRIBES TRADE SECRETS AND IS THE EXCLUSIVE PROPERTY OF MICROWAVE FILTER CO., INC

REVISION			
LTR	ECN	DATE	APPR'D



SPECIFICATIONS

CENTER FREQUENCY (F<sub>0</sub>): 2500 MHz  
 INSERTION LOSS AT F<sub>0</sub>: 2 dB TYP  
 3 dB RELATIVE BANDWIDTH: 44 MHz MIN, 60 MHz MAX  
 REJECTION: 60 dB TYP @ 2400 MHz  
 30 dB TYP @ 2450 MHz  
 30 dB TYP @ 2550 MHz  
 IMPEDANCE: 50 OHMS  
 CONNECTORS: SMA FEMALE

UNLESS SPECIFIED  
 ALL TOLERANCES ±.025

ENVELOPE DRAWING

<b>MFC</b> MICROWAVE FILTER CO. INC. 6743 KINNE ST. E. SYRACUSE, N.Y. 13057		FSCM27834	
DATE 9/10/13		TITLE	
DWN BY MW		FILTER, BANDPASS	
ENGINEER J. SHAW		DRAWING NO. 18766	REV —