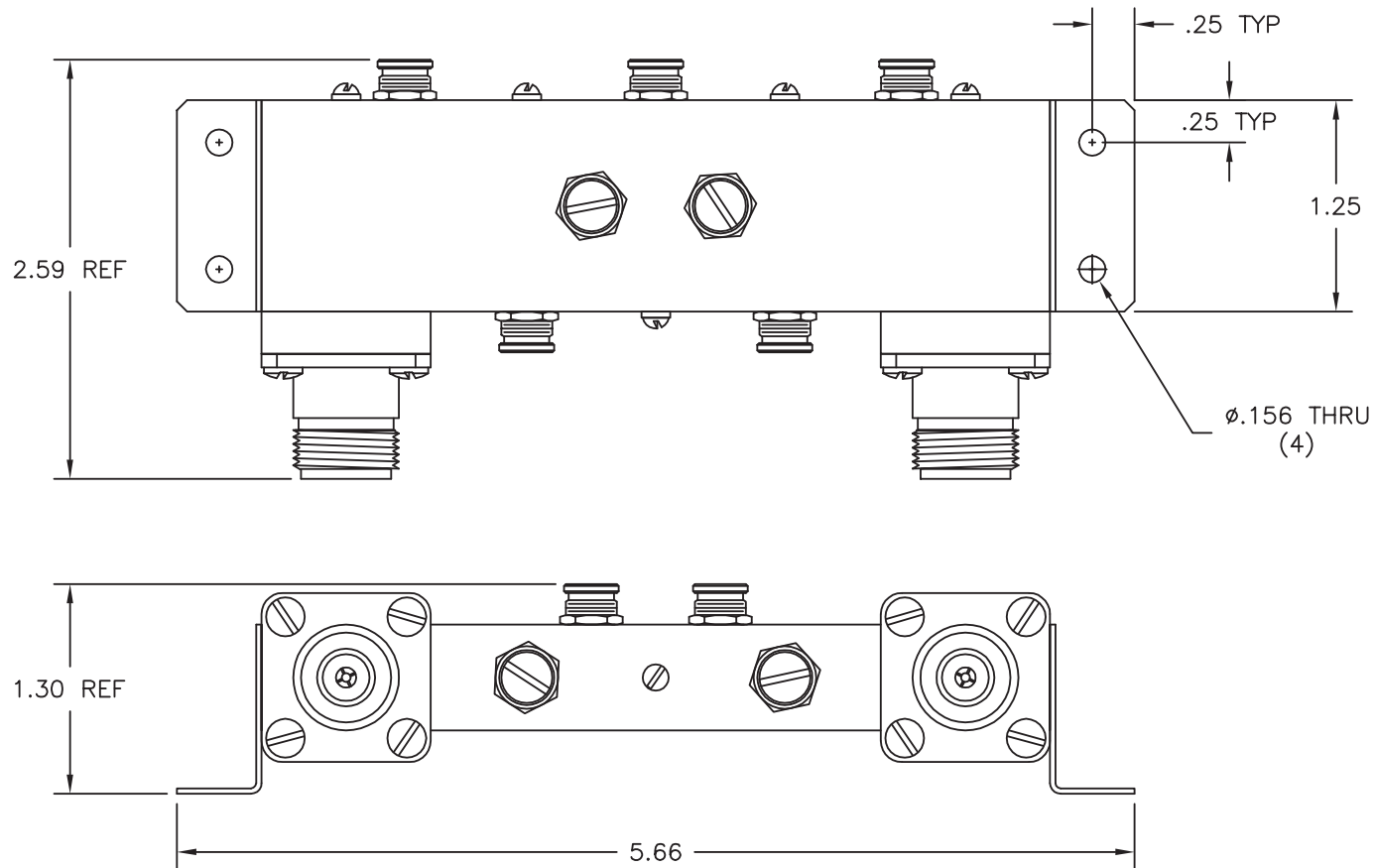


THIS DRAWING IS A SOURCE CONTROL DRAWING AND IS PROPRIETARY TO MICROWAVE FILTER CO., INC. AND MAY NOT BE DUPLICATED OR DISTRIBUTED WITHOUT WRITTEN PERMISSION OF MICROWAVE FILTER CO., INC. THIS DRAWING ALSO DESCRIBES TRADE SECRETS AND IS THE EXCLUSIVE PROPERTY OF MICROWAVE FILTER CO., INC

REVISION			
LTR	ECN	DATE	APPR'D



SPECIFICATIONS

PASSBAND: 2500-2542 MHz
 PASSBAND LOSS: 1.0 dB TYP
 PASSBAND VSWR: 1.5:1 MAX
 PASSBAND POWER: 2 WATTS MAX
 REJECTION: 65 dB TYP @ 2400 MHz
 25 dB TYP @ 2572 MHz
 IMPEDANCE: 50 OHMS
 CONNECTORS: N-FEMALE

UNLESS SPECIFIED
 ALL TOLERANCES ±.030

ENVELOPE DRAWING

MFC MICROWAVE FILTER CO. INC. 6743 KIRBY ST. E. SYRACUSE, N.Y. 13057		FSCM27834
DATE 9/23/13	TITLE	
DWN BY M.W.	FILTER, BANDPASS	
ENGINEER N.S.	DRAWING NO. 18772	REV -