

# BRS-EBS (2.5 GHz) Band Bandpass Filter

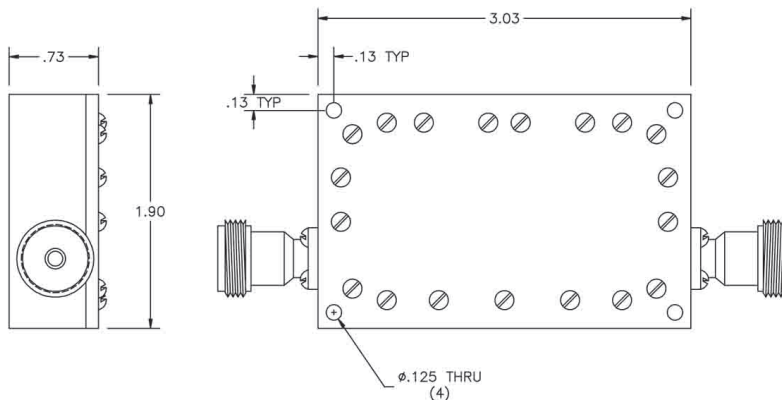
## Model 19125

This filter isolates the upper portion of the BRS-EBS band from potential interference from other operations above and below the band.

### Specifications:

Passband:	2624 – 2690 MHz
Passband Insertion Loss:	1 dB Max
Passband VSWR:	1.5:1 Max
Rejection:	20 dB Min @ 2568 MHz 20 dB Min @ 2746 MHz
Impedance:	50 Ohms
Connectors:	N-female
Dimensions:	3.03" x 0.73" x 1.90" (77 mm x 19 mm x 48 mm)

Weatherized for Outdoor/Indoor Use



**MICROWAVE FILTER COMPANY, INC.**

6743 Kinne Street, East Syracuse, NY 13057 • Toll Free: 800-448-1666 or 888-206-6610

www.microwavefilter.com • email: mfcsales@microwavefilter.com • International: 315-438-4700