

# Single TV Channel Reprocessing Network

## MDN

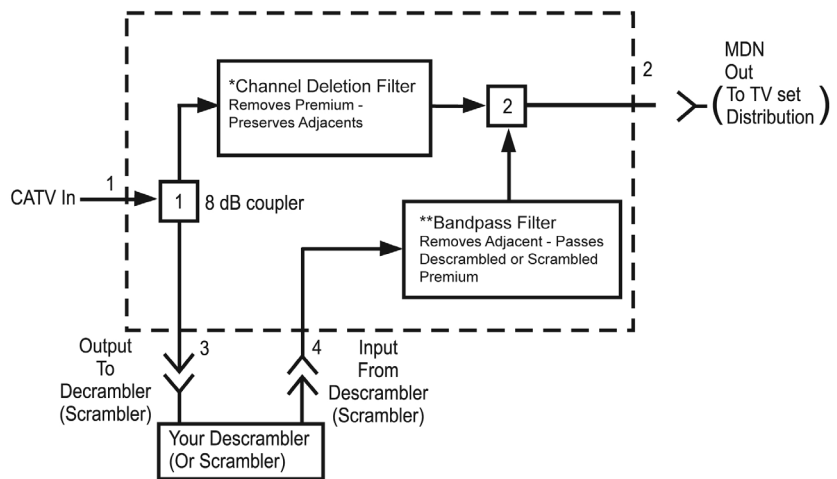


## MDN Series

The MDN network removes a selected channel from the incoming CATV feed so it can be reprocessed and added back on line. This is done at the entry to a multiple-dwelling unit (MDU), a motel, hotel, school, hospital or business. The reprocessing can consist of batch descrambling, scrambling, channel conversion or a combination of these. MDN networks incorporate a channel deletion filter corresponding to the channel to be reprocessed and an adjacent channel bandpass filter. These filters delete the old channel information and insure clean insertion of new information, respectively. All MDN units are delivered fully wired except for scramblers, descramblers and converters. Available for channels 2-116.

\*See pages 6 & 7 for channel deletion filter specifications (including upper passband limits)

\*\*See page 16 for bandpass filter specifications



Channel #	(1-2) Passband Insertion Loss (Typical)	Adj Carrier (1-2) Insertion Loss (Typical)	Inserted Channel (4-2) Insertion Loss (Typical)
2 to 6	12 dB	16 dB	10.5 dB
98, 99, 14 to 22	12 dB	15 dB	11.5 dB
7 to 13	12 dB	15 dB	13 dB
23 to 36	12 dB	16 dB	13 dB
37 to 61	12 dB	17 dB	13 dB
62 to 116	12 dB	18 dB	13 dB

### Mechanical Specifications:

Dimensions: 19" L x 3.5" H x 13" D  
Connectors: 75 ohm - Type "F"

**Note:** In many cases these filter assemblies can be installed in 1 or 2 (RU) rack chassis configurations.

### Ordering Information:

MDN-(Channel)

### Options (see page 13 for details):

- S1 - 12 vdc off, MDN in line
- S2 - 12 vdc off, MDN out of line
- P - 15 Amp. AC/DC power bypass