



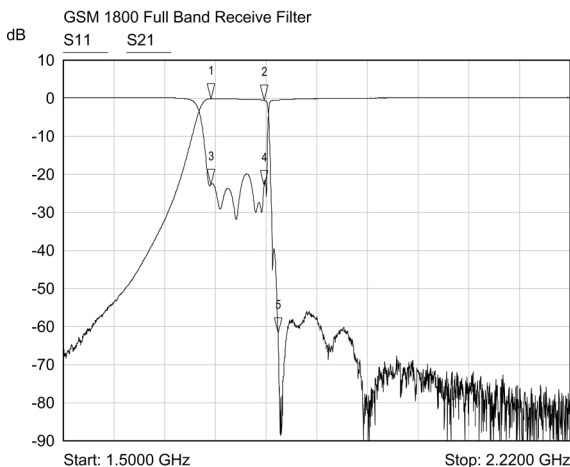
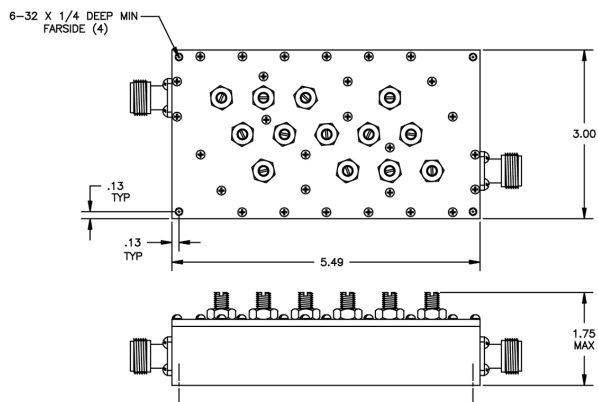
# GSM 1800 Full Band Receive Filter

## Model 18599

This filter provides excellent isolation from the transmit band with minimal receive signal loss.

### Specifications:

|                          |  |
|--------------------------|--|
| Passband Receive:        | 1710-1785 MHz                                  |
| Passband Insertion Loss: | 1.0 dB Max                                     |
| Passband Return Loss:    | 18 dB Min                                      |
| Transmit Band Rejection: | 45 dB Typ, 40 dB Min<br>from 1805-1880 MHz     |
| Additional Rejection:    | 50 dB Typ @ 1600 MHz                           |
| Operating Temperature:   | -20°C to +70°C                                 |
| Connectors:              | N-female (Standard)<br>7/16 DIN (Optional)     |
| Dimensions:              | 5.49" x 3.00" x 1.75"<br>(139mm x 76mm x 44mm) |



- 1 S21  
▽ 1.7100 GHz  
-0.21 dB
- 2 S21  
▽ 1.7850 GHz  
-0.56 dB
- 3 S11  
▽ 1.7100 GHz  
-22.62 dB
- 4 S11  
▽ 1.7850 GHz  
-23.04 dB
- 5 S21  
▽ 1.8049 GHz  
-61.74 dB

**MICROWAVE FILTER CO., INC.**  
6743 KINNE STREET, E. SYRACUSE, NY 13057  
E-Mail: [mfcsales@microwavefilter.com](mailto:mfcsales@microwavefilter.com)

800-448-1666 • 315-438-4700  
Web: [www.microwavefilter.com](http://www.microwavefilter.com)